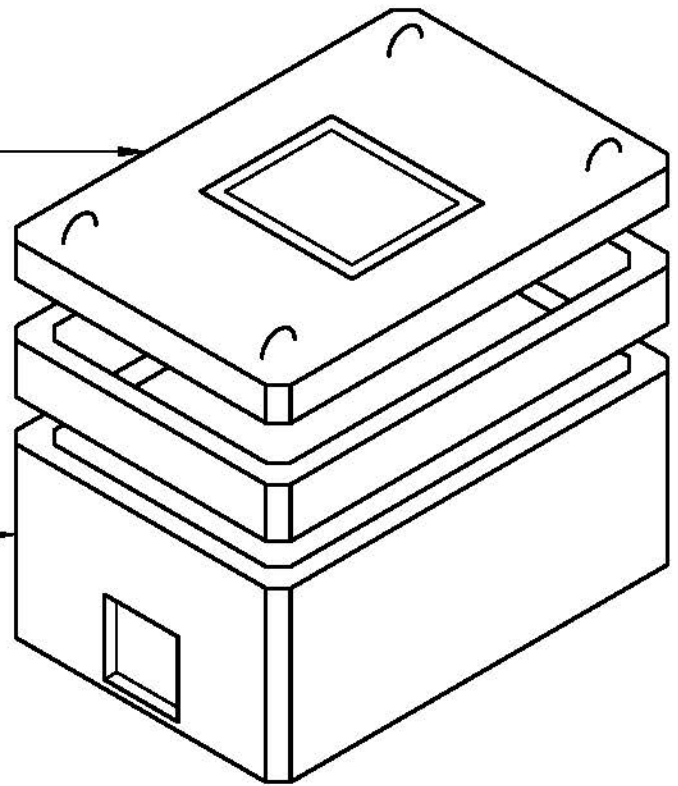


LID

4000 TO 4500 P.S.I. CONCRETE, 28 DAY STRENGTH. RECESSED VALVE OPENING KNOCKOUTS. 30"x30" DOOR CAST INTO LID. REINFORCING FOR H-20 LOADING. LID AS MANUFACTURED BY CONCRETE PRODUCTS, INCORPORATED, OR APPROVED EQUAL.

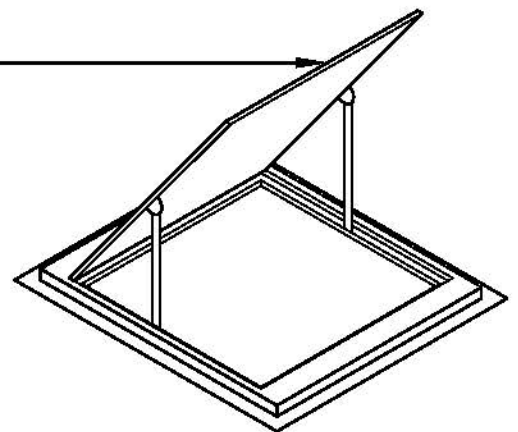


VAULT

4000 TO 4500 P.S.I. CONCRETE, 28 DAY STRENGTH. 18"x18" PIPE KNOCKOUTS. REINFORCING FOR H-20 LOADING TO DEPTH OF 6". BASE WITHOUT FLOOR. 12" EXTENSION FOR BASE. 6" WALLS, WITH OPTIONAL 8" WALLS FOR DEPTH TO 10'. VAULT AS MANUFACTURED BY CONCRETE PRODUCTS, INCORPORATED, OR APPROVED EQUAL.

HATCH

SPRING ASSISTED STEEL HATCH WITH MANUAL LID LOCKOUTS. CAST FLUSH TO TOP OF LID. 30"x30" OPENING AREA. H-20 STEEL DOOR. DOOR AS MANUFACTURED BY CONCRETE PRODUCTS, INCORPORATED, OR APPROVED EQUAL.



NOTE:

THE METER VAULT SHALL BE LARGE ENOUGH, SO THAT THE FITTED METER ASSEMBLY CAN BE EASILY MAINTAINED.

<p>RECORD SIGNED COPY ON FILE AT PUBLIC WORKS APPROVED</p>	<p>CITY OF ROUND ROCK</p>	<p>DRAWING NO: WT-13</p>
<p>04-01-10 DATE</p>		<p>COMPOUND WATER METER VAULT DETAIL</p>
<p>THE ARCHITECT/ENGINEER ASSUMES RESPONSIBILITY FOR THE APPROPRIATE USE OF THIS DETAIL. (NOT TO SCALE)</p>		