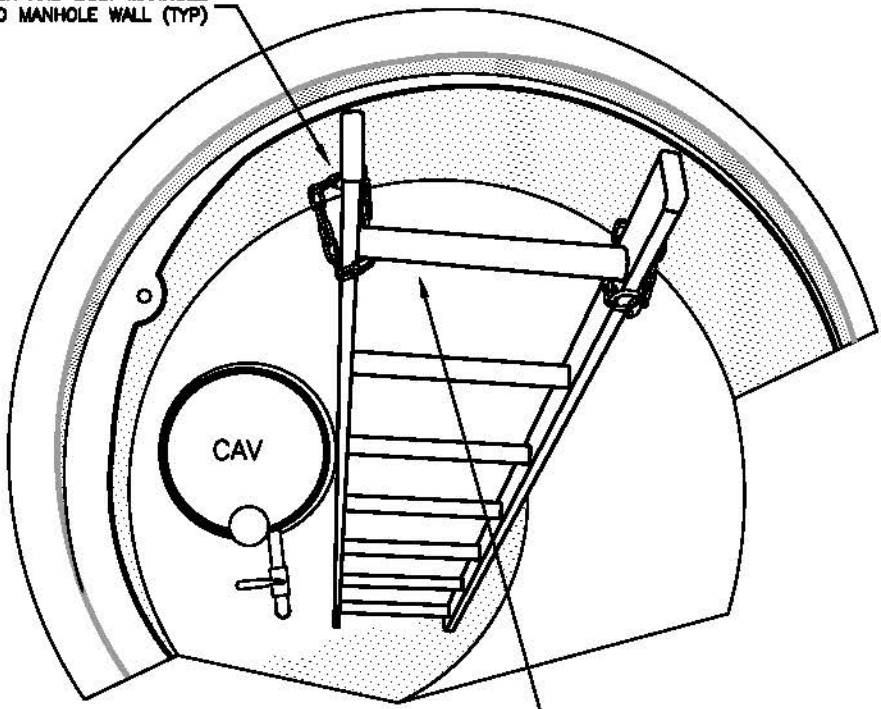
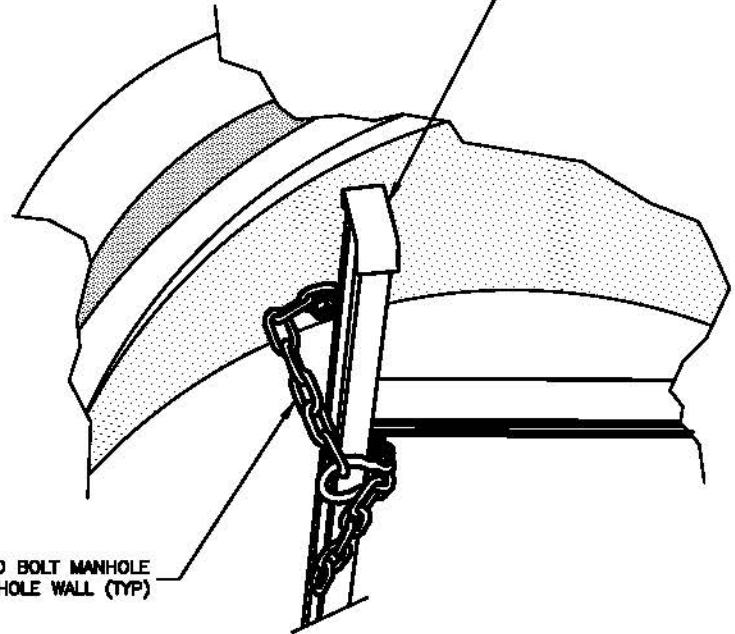


CHAIN AND BOLT MANHOLE
LADDER TO MANHOLE WALL (TYP)



ALUMINUM OR FIBERGLASS
MANHOLE LADDER SECTION ACTUAL
LENGTH AS REQUIRED



CHAIN AND BOLT MANHOLE
LADDER TO MANHOLE WALL (TYP)

**RECORD SIGNED COPY
ON FILE AT PUBLIC WORKS**
APPROVED

04-01-10
DATE

THE ARCHITECT/ENGINEER ASSUMES
RESPONSIBILITY FOR THE APPROPRIATE
USE OF THIS DETAIL. (NOT TO SCALE)

CITY OF ROUND ROCK

MANHOLE LADDER DETAIL

DRAWING NO.:
WT-18

