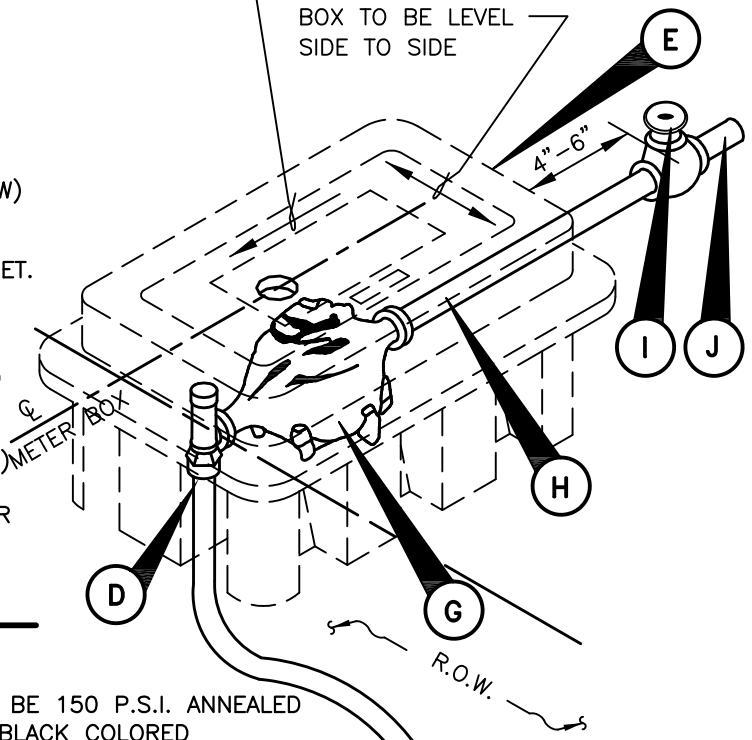


**MATERIAL LIST:**

- A. SERVICE CLAMP REQUIRED.
- B. 1" CORPORATION STOP – SERVICE PIPE OUTLET.  
(SEE NOTE #2)
- C. 1" SERVICE PURPLE POLY PIPE.
- D. LOCKING ANGLE METER STOP; SERVICE PIPE INLET X SWIVEL COUPLING NUT OUTLET:
  - FOR 5/8" AND 3/4" METERS: 1" X 3/4"
  - FOR 1" METERS: 1" X 1"
  - SEE NOTE #2
- E. PLASTIC RECTANGULAR METER BOX. (SEE TABLE BELOW)
- F. PIPE CASING WHERE APPLICABLE.  
(AS PER DETAIL WT-01)
- G. WATER METER, CENTERED IN BOX WITH PURPLE BONNET.
- H. WATER METER COUPLING; MALE I.P.T. X SWIVEL COUPLING NUT:
  - FOR 5/8" AND 3/4" METERS: 3/4" X 8 1/2" LONG.
  - FOR 1" METERS: LENGTH OF PIPE TO BE DETERMINED BY CONTRACTOR. EXTEND PIPE TO 4"-6" OUTSIDE OF METER BOX.
- I. BRONZE GATE VALVE: NON-RISING STEM (3/4" OR 1" FEMALE I.P.T. (PROPERTY OWNERS CUT-OFF OUTSIDE METER BOX IN SEPARATE VALVE CAN WITH LID AS PER CITY OF ROUND ROCK STANDARDS).
- J. 3/4" OR 1" PIPE MEETING CITY OF ROUND ROCK PLUMBING CODE REQUIREMENTS.

MAXIMUM SLOPE 1/4"/FT.  
FRONT TO BACK OR BACK  
TO FRONT

BOX TO BE LEVEL  
SIDE TO SIDE

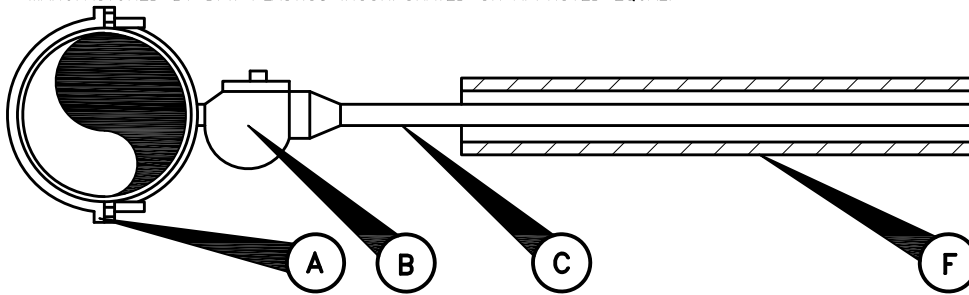


**NOTES:**

1. SERVICE PIPE SHALL BE COPPER TUBE SIZE. IT MAY BE 150 P.S.I. ANNEALED SEAMLESS TYPE "K" COPPER TUBING OR 200 P.S.I. BLACK COLORED POLYETHYLENE HAVING A DIMENSION RATIO OF 9 (DR9).
2. ALL STAINLESS STEEL INSERTS THAT COME WITH COMPRESSION FITTINGS SHALL NOT BE USED ON ANY CONNECTIONS.
3. SERVICE SADDLES SHALL BE WRAPPED COMPLETELY WITH 8 MIL. PURPLE POLY FILM.
4. TOP OF BOXES SHALL BE 1" ABOVE FINISHED GRADE.
5. PIPING AND TUBING SHALL BE INSTALLED IN ACCORDANCE WITH SECTION 510.3 OF THE STANDARD SPECIFICATIONS. SPECIAL ATTENTION IS CALLED TO "PIPE BEDDING ENVELOPE" AND "BACKFILLING", SECTIONS 510.3 (14) AND 510.3 (25), RESPECTIVELY.
6. AXIS OF METER ASSEMBLY (LINE THROUGH METER STOP, METER, PIPING AND OWNERS CUTOFF) SHALL BE 10" BELOW TOP OF BOX.
7. SLOTS PROVIDED IN METER BOX TO ACCOMMODATE PIPING INTO AND OUT OF BOX, SHALL NOT BE MODIFIED.
8. LOCATION OF METER BOXES SHALL BE SUBJECT TO THE APPROVAL OF THE C.O.R.R.
9. VALVE BOX TO BE FACTORY COLORED. FIELD PAINTING IS NOT ACCEPTABLE.

PART NUMBER	SERIES	COLOR	HEIGHT	WIDTH	LENGTH
DFW36C-12-BODY*	36C	PURPLE	12"	TOP = 13-3/4"	TOP = 18-7/8"
DFW36C-AF1EQA-LID*	36C	PURPLE	1-7/8"	LID = 10-3/16"	LID = 15-9/16"
DFW36C-12-AF1EQA*	36C	PURPLE	12"	BASE = 10-1/2"	BASE = 18-7/8"

\* MANUFACTURED BY DFW PLASTICS INCORPORATED OR APPROVED EQUAL.



METER SIZE	LENGTH
5/8"	7 1/2"
3/4"	7 1/2"
1"	11"

RECORD SIGNED COPY  
ON FILE AT U&ES DEPARTMENT  
APPROVED

03-01-18  
DATE

THE ARCHITECT/ENGINEER ASSUMES  
RESPONSIBILITY FOR THE APPROPRIATE  
USE OF THIS DETAIL. (NOT TO SCALE)

**CITY OF ROUND ROCK**

SINGLE 5/8", 3/4" OR 1"  
REUSE WATER METER DETAIL

DRAWING NO:  
RW-01

