

OCTAVE METER LENGTH

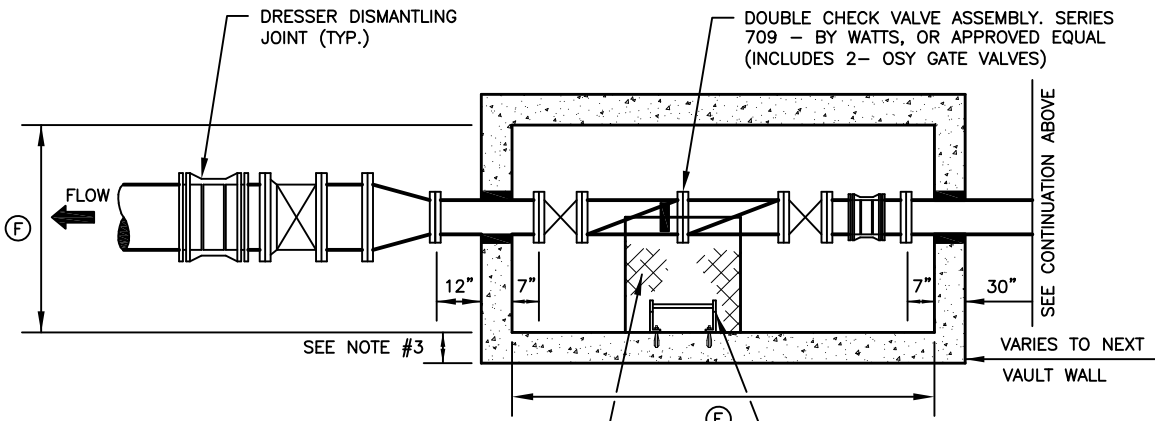
- 10" OCTAVE METER—17.75"
- 8" OCTAVE METER—20"
- 6" OCTAVE METER—18"
- 4" OCTAVE METER—14"
- 3" OCTAVE METER—12"

{ (*) DIMENSION VARIES W/METER SIZE }
MINIMUM DIMENSION SHOWN

METER SHALL BE CENTERED IN THE VAULT UNDER ACCESS DOOR

DIAMOND PATTERN ALUMINUM ACCESS DOOR. (MODEL NO: H1W) AS MANUFACTURED BY HALLIDAY PRODUCTS, OR APPROVED EQUAL. PROVIDE STAINLESS STEEL HOLD OPEN ARMS AND SPRING ASSIST FOR ACCESS DOOR

PROVIDE ALUMINUM LADDER WITH VAULT, WITH 7" STAND-OFF, FLOOR MOUNTING BRACKETS AND 36" SAFETY EXTENSION, (HALLIDAY PRODUCTS SERIES L1D WITH L1E EXTENSION, AS PER DETAIL WT-18)



DIAMOND PATTERN ALUMINUM ACCESS DOOR. (MODEL NO: H1W) AS MANUFACTURED BY HALLIDAY PRODUCTS, OR APPROVED EQUAL. PROVIDE STAINLESS STEEL HOLD OPEN ARMS AND SPRING ASSIST FOR ACCESS DOOR

PROVIDE ALUMINUM LADDER WITH VAULT, WITH 7" STAND-OFF, FLOOR MOUNTING BRACKETS AND 36" SAFETY EXTENSION, (HALLIDAY PRODUCTS SERIES L1D WITH L1E EXTENSION, AS PER DETAIL WT-18)

NOTES:

1. VAULTS AND ACCESS HATCHES TO BE H2O LOADED.
2. IF CONTRACTOR ELECTS TO PROVIDE CAST-IN-PLACE CONCRETE VAULT, ALL COLD JOINTS SHALL HAVE A 6" VERTICAL WATER STOP EMBEDDED 6" INTO THE PREVIOUS POUR.
3. ALL INTERIOR IRON, DUCTILE IRON OR STEEL SHALL BE PROVIDED WITH THE MANUFACTURER'S SPECIFIED COATING AND APPLY COATING TO PREVENT CORROSION.
4. CONTRACTOR TO PROVIDE SHOP DRAWINGS OF VAULT, INCLUDING REINFORCEMENT. THE SHOP DRAWINGS ARE TO BE SEALED AND SIGNED BY A REGISTERED ENGINEER.
5. ATTACH CONFINED SPACE ENTRY PLAQUE TO OUTSIDE OF ACCESS HATCH ON METER VAULT.

RECORD SIGNED COPY
ON FILE AT U&ES DEPARTMENT

APPROVED

03-01-18

DATE

THE ARCHITECT/ENGINEER ASSUMES
RESPONSIBILITY FOR THE APPROPRIATE
USE OF THIS DETAIL. (NOT TO SCALE)

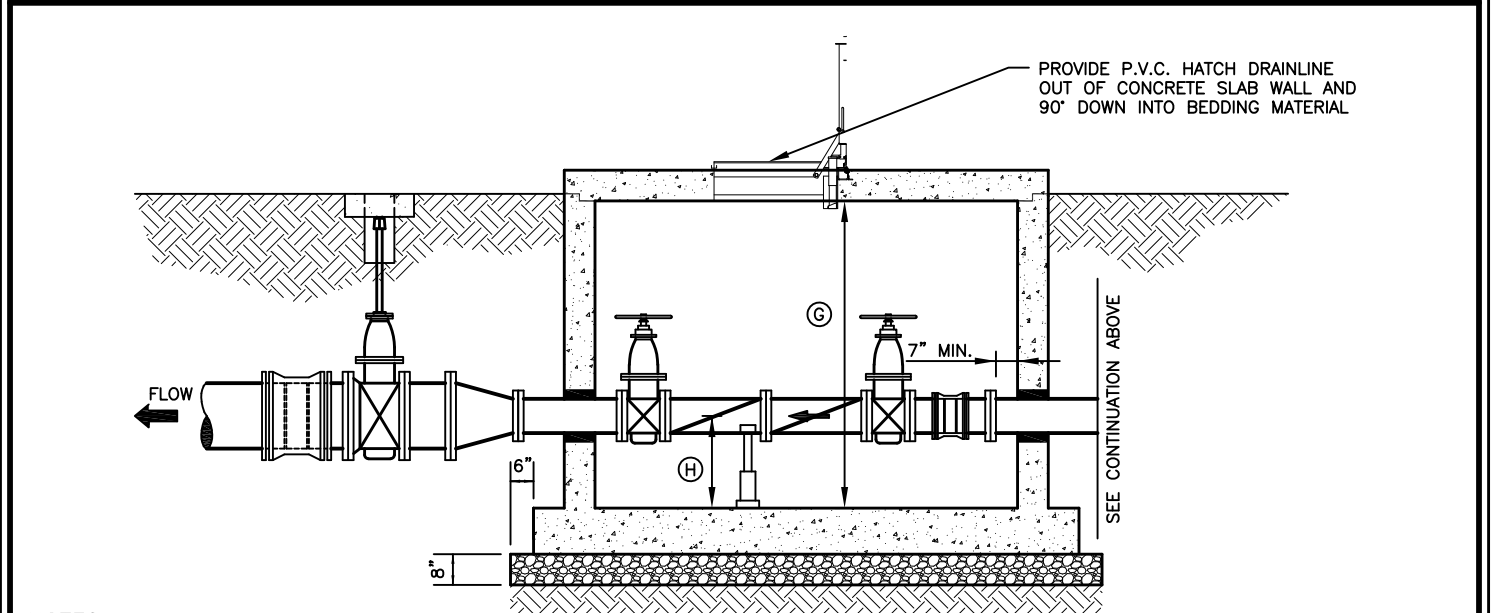
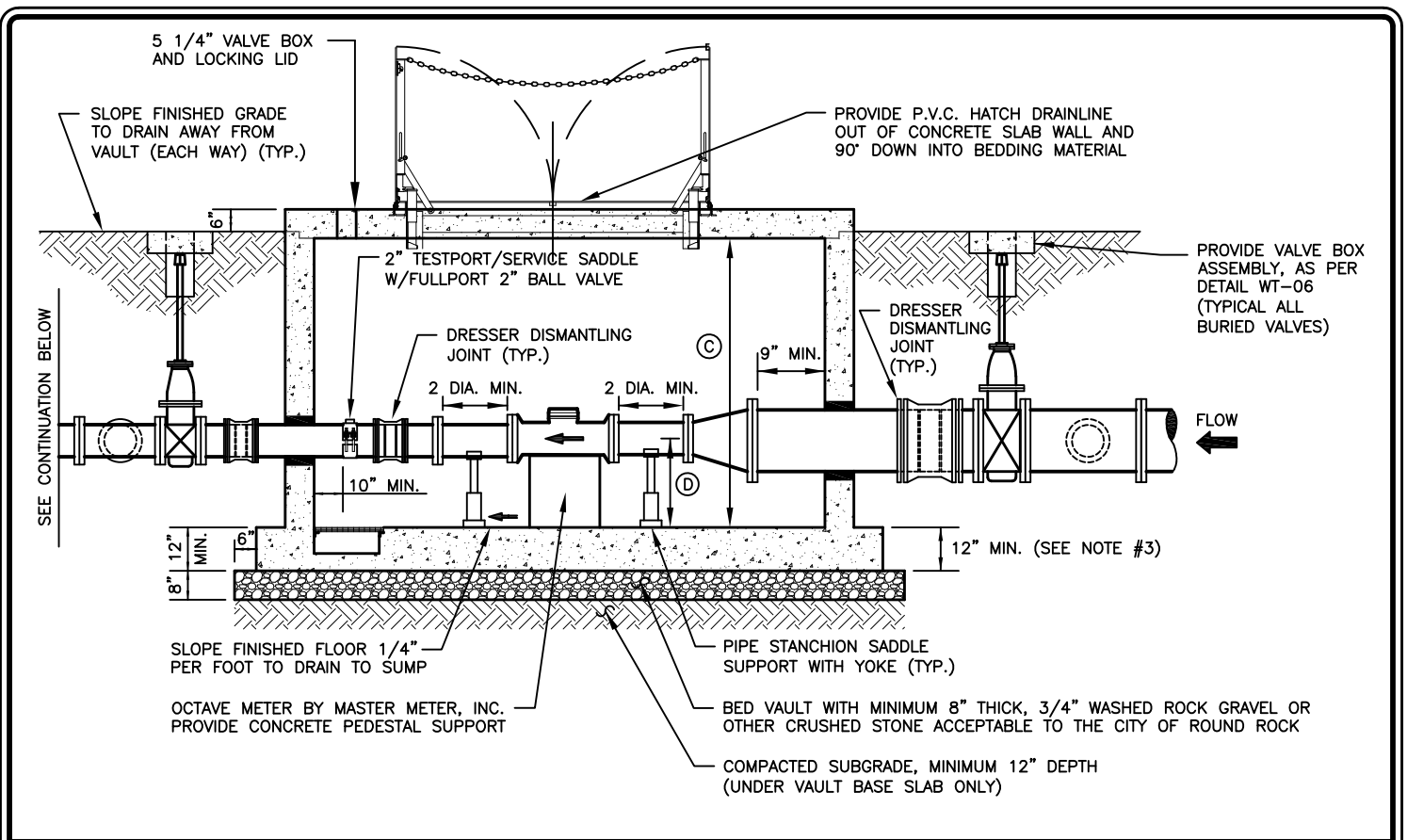
CITY OF ROUND ROCK

3" TO 10"

**WATER METER ASSEMBLY DETAIL
PLAN VIEW**

DRAWING NO:
WT-20 (1 of 3)





NOTES:

1. VAULTS AND ACCESS HATCHES TO BE H2O LOADED.
2. IF CONTRACTOR ELECTS TO PROVIDE CAST-IN-PLACE CONCRETE VAULT, ALL COLD JOINTS SHALL HAVE A 6" VERTICAL WATER STOP EMBEDDED 6" INTO THE PREVIOUS POUR.
3. ALL INTERIOR IRON, DUCTILE IRON OR STEEL SHALL BE PROVIDED WITH THE MANUFACTURER'S SPECIFIED COATING AND APPLY COATING TO PREVENT CORROSION.
4. CONTRACTOR TO PROVIDE SHOP DRAWINGS OF VAULT, INCLUDING REINFORCEMENT. THE SHOP DRAWINGS ARE TO BE SEALED AND SIGNED BY A REGISTERED ENGINEER.
5. ATTACH CONFINED SPACE ENTRY PLAQUE TO OUTSIDE OF ACCESS HATCH ON METER VAULT.

**RECORD SIGNED COPY
ON FILE AT U&ES DEPARTMENT**

APPROVED

03-01-18

DATE

THE ARCHITECT/ENGINEER ASSUMES
RESPONSIBILITY FOR THE APPROPRIATE
USE OF THIS DETAIL. (NOT TO SCALE)

CITY OF ROUND ROCK

3" TO 10"

WATER METER ASSEMBLY DETAIL

ELEVATION VIEW

DRAWING NO:
WT-20 (2 of 3)

WATER METER VAULT SCHEDULE

TAG NO.	DESCRIPTION	VAULT NO. 1 (3" METER)	VAULT NO. 2 (4" METER)	VAULT NO. 3 (6" METER)	VAULT NO. 4 (8" METER)	VAULT NO. 5 (10" METER)
A	MINIMUM VAULT LENGTH	6'-0"	6'-0"	8'-0"	9'-0"	12'-0"
B	MINIMUM VAULT WIDTH	4'-0"	4'-0"	6'-0"	6'-0"	6'-0"
C	MINIMUM VAULT HEIGHT	4'-0"	4'-0"	6'-6"	6'-6"	6'-6"
D	MINIMUM PIPE HEIGHT	18"	18"	24"	24"	24"
-	OCTAVE METER SIZE	3"	4"	6"	8"	10"
-	METER LAY LENGTH	12"	14"	18"	20"	17.75"
-	DOUBLE-LEAF ACCESS DOOR	42" x 42"	42" x 42"	42" x 42"	60" x 60"	60" x 60"

BACKFLOW PREVENTOR VAULT SCHEDULE

TAG NO.	DESCRIPTION	VAULT NO. 1 (3" BACKFLOW)	VAULT NO. 2 (4" BACKFLOW)	VAULT NO. 3 (6" BACKFLOW)	VAULT NO. 4 (8" BACKFLOW)	VAULT NO. 5 (10" BACKFLOW)
E	MINIMUM VAULT LENGTH	6'-0"	7'-0"	8'-0"	9'-0"	10'-0"
F	MINIMUM VAULT WIDTH	4'-0"	5'-0"	5'-0"	5'-0"	5'-0"
G	MINIMUM VAULT HEIGHT	4'-0"	4'-0"	6'-6"	6'-6"	6'-6"
H	MINIMUM PIPE HEIGHT	18"	18"	24"	24"	24"
-	BACKFLOW PREVENTOR SIZE	3"	4"	6"	8"	10"
-	DOUBLE-LEAF ACCESS DOOR	42" x 42"	42" x 42"	42" x 42"	42" x 42"	42" x 42"

VAULT DIMENSIONS NOTE:

VAULT DIMENSIONS SHOWN ARE MINIMUM AND MUST BE VERIFIED FOR EQUIPMENT AND PIPING MATERIALS ACTUALLY FURNISHED FOR THE WATER METER AND BACKFLOW VAULT TO BE CONSTRUCTED.

**RECORD SIGNED COPY
ON FILE AT U&ES DEPARTMENT**
APPROVED
03-01-18
DATE
THE ARCHITECT/ENGINEER ASSUMES
RESPONSIBILITY FOR THE APPROPRIATE
USE OF THIS DETAIL. (NOT TO SCALE)

CITY OF ROUND ROCK

DRAWING NO:
WT-20 (3 of 3)

3" TO 10"
WATER METER ASSEMBLY DETAIL
VAULT SCHEDULE

