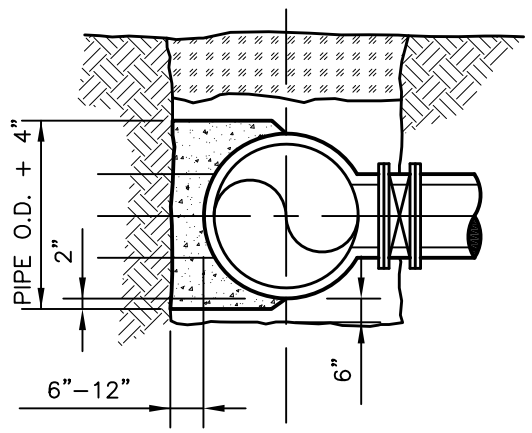
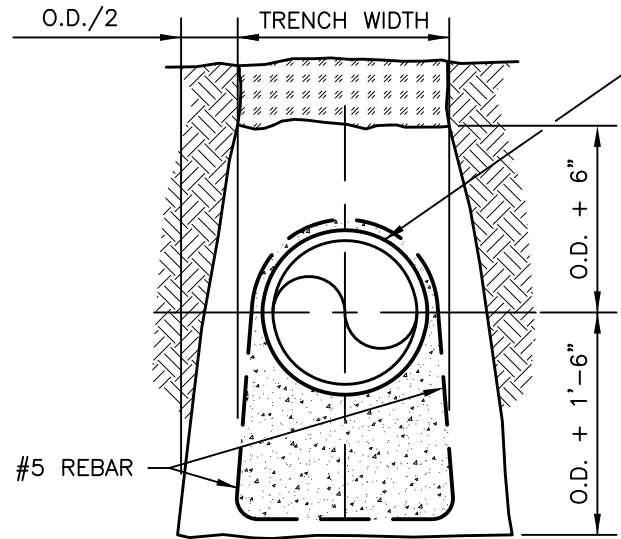


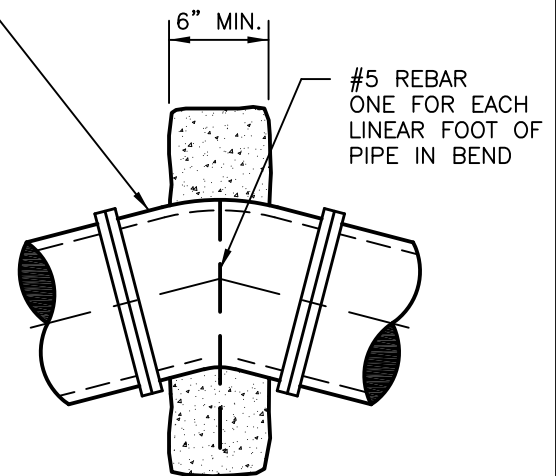
HORIZONTAL BEND



TEE/OUTLET



VERTICAL BEND



- THRUST BLOCK DESIGN AS FOLLOWS:
- A. PRESSURE OF 150 P.S.I. (ACTUAL IF HIGHER) + 50% SURGE ALLOWANCE
 - B. MAXIMUM SOIL BEARING:
 - C. ALL PIPE & FITTING TO BE WRAPPED WITH 40 PLASTIC MIL.

SOIL TYPE	PRESSURE
LIMESTONE	4000 LBS./SQ. FT.
UNDISTURBED SOIL, CALICHE	2000 LBS./SQ. FT.
LOOSE OR SPONGY SOIL	1500 LBS./SQ. FT.

**RECORD SIGNED COPY
ON FILE AT U&ES DEPARTMENT**

APPROVED

03-01-18

DATE

THE ARCHITECT/ENGINEER ASSUMES
RESPONSIBILITY FOR THE APPROPRIATE
USE OF THIS DETAIL. (NOT TO SCALE)

CITY OF ROUND ROCK

**DRAWING NO:
WT-25**

THRUST BLOCK DETAIL

