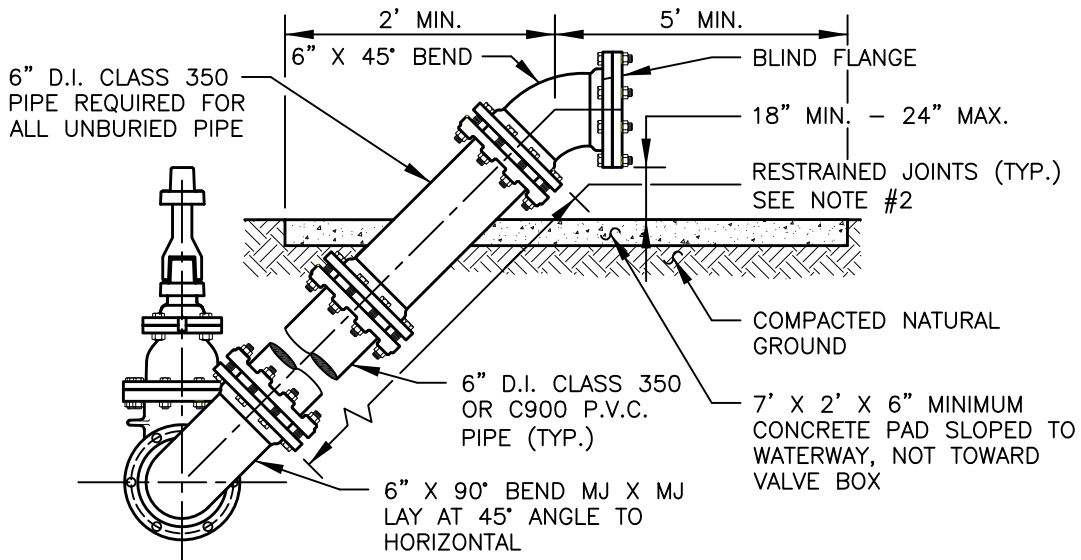


SIDE VIEW



BACK VIEW

NOTES:

1. WRAP 8 MIL. POLY-FILM WRAP ON ALL BURIED PIPE AND FITTINGS.
2. PROVIDE RESTRAINED JOINTS AND THRUST BLOCKING. FLG X FLG JOINTS ARE ACCEPTABLE FROM 90° BEND TO BLIND FLANGE.
3. EXTERIOR SURFACES OF EXPOSED PIPE SHALL BE PAINTED. POTABLE WATER PIPE SHALL BE PAINTED SAFETY BLUE.

**RECORD SIGNED COPY
ON FILE AT U&ES DEPARTMENT**

APPROVED

03-01-18

DATE

THE ARCHITECT/ENGINEER ASSUMES
RESPONSIBILITY FOR THE APPROPRIATE
USE OF THIS DETAIL. (NOT TO SCALE)

CITY OF ROUND ROCK

DRAWING NO:
WT-29

DRAIN VALVE DETAIL

