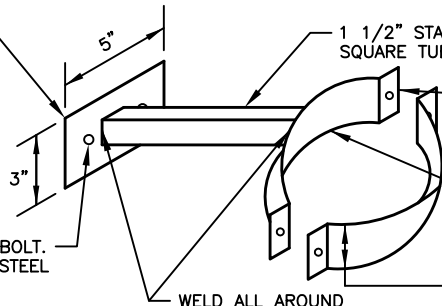


ROUGH FIT SUPPORT TO MANHOLE BENCH. INSTALL DRIVE-IN BOLTS IN MANHOLE BENCH. REMOVE SUPPORT, PROTECT BOLT THREADS AND COAT INTERIOR OF MANHOLE. INSTALL SUPPORT AFTER COATING HAS DRIED

1/4" STAINLESS STEEL PLATE



1 1/2" STAINLESS STEEL SQUARE TUBING

HOLE IN STRAPS FOR 3/8" STAINLESS STEEL BOLTS. SECURE BOLTS WITH STAINLESS STEEL WASHERS AND NUTS.

HOLE FOR 1/2" DRIVE-IN STAINLESS STEEL BOLT. SECURE SUPPORT TO BOLT WITH STAINLESS STEEL WASHER AND NUT, TYPICAL EACH SIDE

RADIUS TO CONFORM TO PIPE

2" x 1/4" STAINLESS STEEL STRAP

WELD ALL AROUND

NOTES:

1. SEE NOTES #2 THROUGH #10 ON DETAIL WW-01.
2. DROP SERVICES SHALL BE REQUIRED WHENEVER AN INFLUENT SEWER SERVICE IS LOCATED MORE THAN TWO FEET (2'-0") ABOVE THE MAIN INVERT CHANNEL.
3. WHEN P.V.C. PIPE IS USED IN SANITARY SEWER LINES, SOLVENT TYPE JOINT P.V.C. FITTINGS TO BE UTILIZED IN THE DROP ASSEMBLY ONLY. FITTINGS TO BE PVC SDR-35 WITH A TWO PART WATER RESISTANT GLUE AT ALL JOINTS.
4. A 5'-0" MANHOLE IS REQUIRED FOR 1 OR 2 DROP SERVICES. IF THERE ARE MORE THAN 2 DROP SERVICES, A 6'-0" DIAMETER MANHOLE IS REQUIRED.

RECORD SIGNED COPY
ON FILE AT U&ES DEPARTMENT

APPROVED

03-01-18

DATE

THE ARCHITECT/ENGINEER ASSUMES
RESPONSIBILITY FOR THE APPROPRIATE
USE OF THIS DETAIL. (NOT TO SCALE)

CITY OF ROUND ROCK

**PRECAST CONCRETE WASTEWATER
MANHOLE WITH DROP SERVICE
DETAIL**

DRAWING NO:
WW-03

