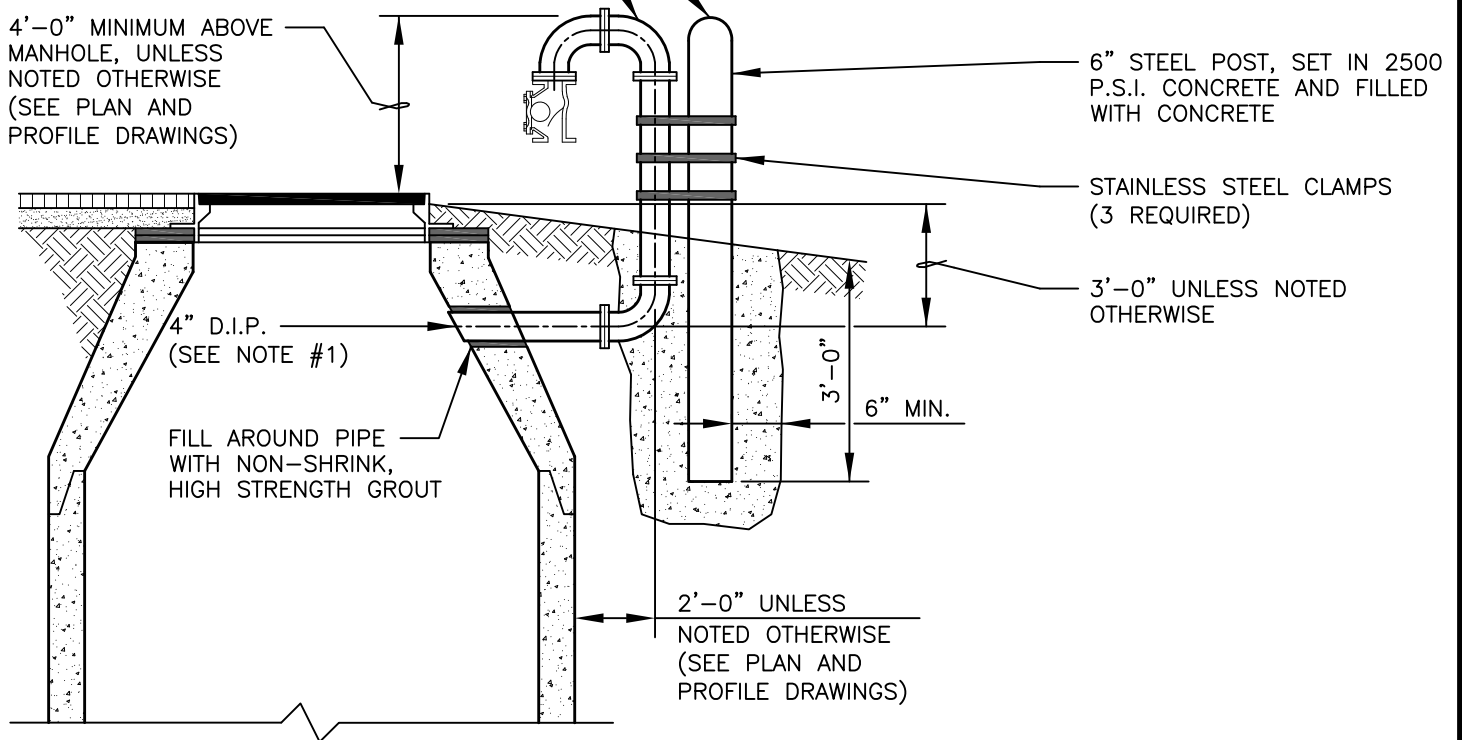


SECTION VIEW
FLOMATIC MODEL 408 BALL CHECK VALVE
 (SEE NOTE #4)

EXTERIOR SURFACES OF EXPOSED AIR VENT PIPE AND STEEL SUPPORT POST SHALL BE CLEANED, PREPARED, PRIMED AND PAINTED WITH RUST-OLEUM SAFETY GREEN ACRYLIC #5233402 PAINT, OR APPROVED EQUAL

4'-0" MINIMUM ABOVE MANHOLE, UNLESS NOTED OTHERWISE (SEE PLAN AND PROFILE DRAWINGS)



NOTES:

1. AIR VENT PIPE TO BE 4" D.I.P., CLASS 53 WITH FLANGED CONNECTIONS.
2. ALL FITTINGS TO BE 150 PSIG RATED & ANSI/AWWA C110/A21.10.
3. AIR VENT PIPE RISER SHALL BE INSTALLED TO A MINIMUM DEPTH FROM GROUND SURFACE AS POSSIBLE, PREFERABLY LOCATED IN THE CONCENTRIC CONCRETE CONE.
4. MINIMUM ELEVATION AT THE VENT OPENING SHALL BE 1 FOOT (1'-0") ABOVE THE ULTIMATE 100 YEAR FLOOD PLAIN ELEVATION. IF ELEVATION OF VENT OPENING IS LESS THAN 1 FOOT (1'-0") ABOVE THE ULTIMATE 100 YEAR FLOOD PLAIN ELEVATION, A FLOMATIC MODEL 408, PART #2145 BALL CHECK VALVE, OR APPROVED EQUAL, WITH FLOATING TYPE BALL, SHALL BE INSTALLED AT DOWN TURNED OPENING OF VENT. A 16 MESH 304 STAINLESS STEEL INSECT SCREEN SHALL BE PLACED IN THE OPENING.

RECORD SIGNED COPY ON FILE AT U&ES DEPARTMENT
 APPROVED
 03-01-18
 DATE
 THE ARCHITECT/ENGINEER ASSUMES RESPONSIBILITY FOR THE APPROPRIATE USE OF THIS DETAIL. (NOT TO SCALE)

CITY OF ROUND ROCK
 MANHOLE VENT FOR ABOVE GROUND INSTALLATION DETAIL
 (UNDEVELOPED AREAS)

DRAWING NO:
 WW-06