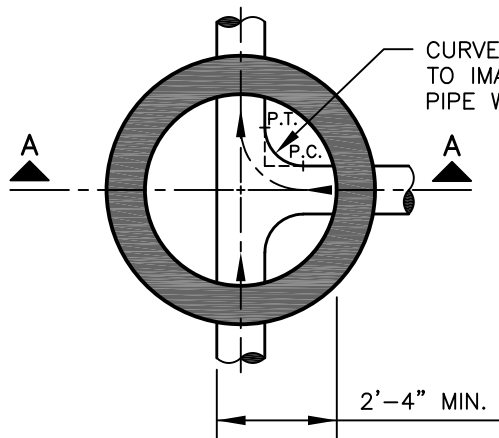
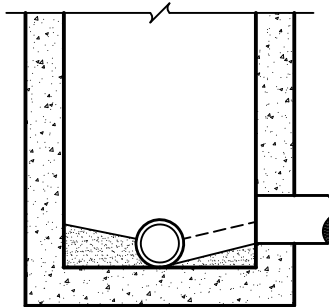
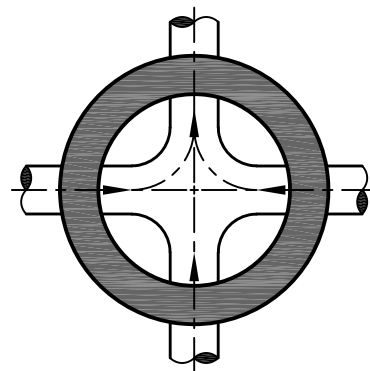


WIDEN CHANNEL WIDTH AT CURVE TO ALLOW ACCESSIBLE CAMERA INSPECTIONS OF PIPE



CURVES SHALL BE TANGENT TO IMAGINARY EXTENSIONS OF PIPE WALLS



SECTION "A-A"

**NOTES:**

1. MINIMUM DROP FROM INLET TO OUTLET OF MANHOLE IS 0.1 FEET AND MAXIMUM DROP IS 2 FEET, UNLESS SPECIAL APPROVAL IS OBTAINED FROM THE CITY OF ROUND ROCK.
2. INVERT CHANNELS TO BE CONSTRUCTED FOR SMOOTH FLOW WITH NO OBSTRUCTIONS.
3. SPILLWAYS SHALL BE CONSTRUCTED BETWEEN PIPES WITH DIFFERENT INVERT ELEVATIONS PROVIDING FOR SMOOTH FLOW.
4. CHANNELS FOR FUTURE CONSTRUCTIONS, SHALL BE CONSTRUCTED WITH PIPE EXTENDING 3' BEYOND EXTERIOR OF MANHOLE WALL, WITH GLUED PLUG.
5. SLOPE MANHOLE BENCH AT 2:1 SLOPE FROM MANHOLE WALL TO CHANNEL.
6. INVERT CHANNEL SHALL BE A MINIMUM OF 1/2 THE DIAMETER OF THE LARGEST PIPE OR FOUR INCHES (4") DEEP.

**RECORD SIGNED COPY  
ON FILE AT U&ES DEPARTMENT**

APPROVED

03-01-18

DATE

THE ARCHITECT/ENGINEER ASSUMES  
RESPONSIBILITY FOR THE APPROPRIATE  
USE OF THIS DETAIL. (NOT TO SCALE)

**CITY OF ROUND ROCK**

DRAWING NO:  
WW-11

**WASTEWATER FLOW PATTERNS FOR  
INVERT CHANNELS DETAIL**

