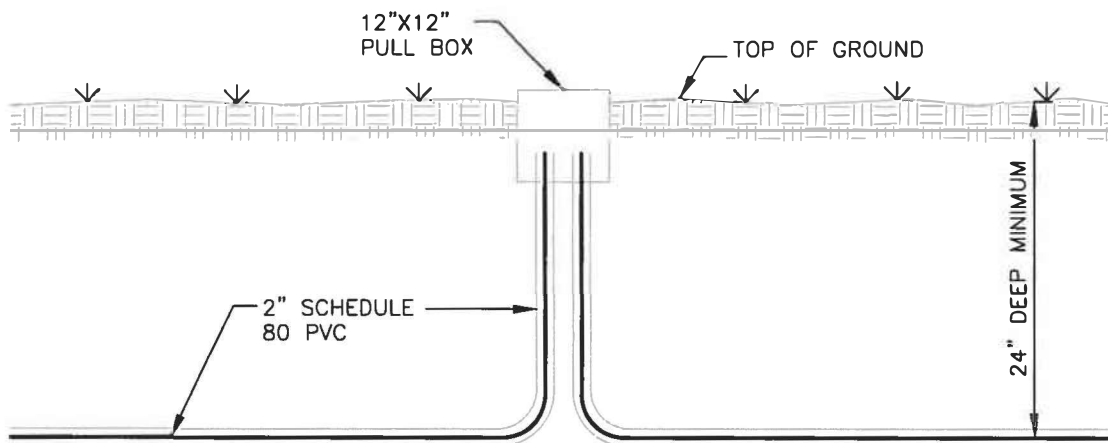


PLAN VIEW




SECTION VIEW

NOTES:

1. FOR ADDITIONAL GENERAL NOTES, SEE DETAIL DU-01.
2. SEE "UNPAVED AREA TRENCH (UAT) (DU-02) DETAIL".

SCALE: NTS

RECORD SIGNED COPY ON FILE APPROVED 01-28-21 DATE THE ARCHITECT/ENGINEER ASSUMES RESPONSIBILITY FOR THE APPROPRIATE USE OF THIS DETAIL.	<h1>CITY OF ROUND ROCK</h1> <h2>INSTALLATION OF STREET LIGHTING ON MAJOR URBAN PAVEMENT WITH 12"X12" PULL BOX DETAIL</h2>	DRAWING NO: DU-08 SHEET 1 of 1 
--	---	---