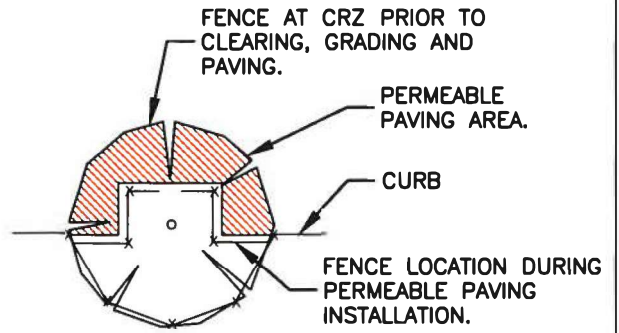
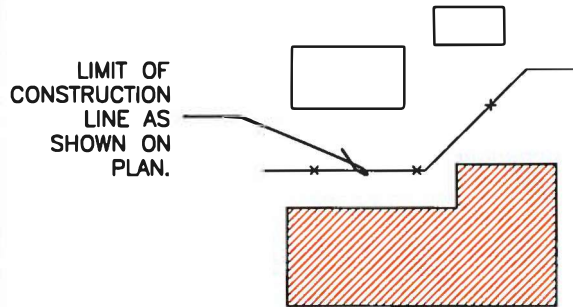


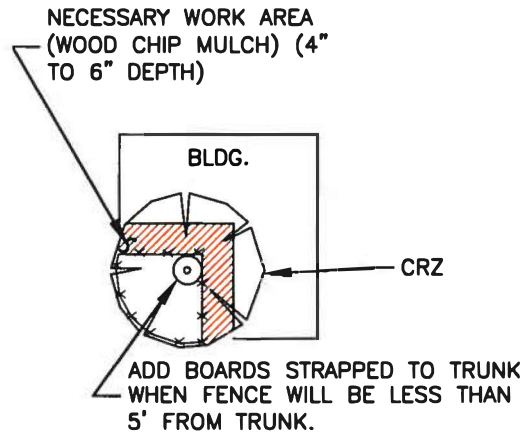
LINEAR CONSTRUCTION THROUGH TREES



TREES IN PAVING AREA



NATURAL AREAS

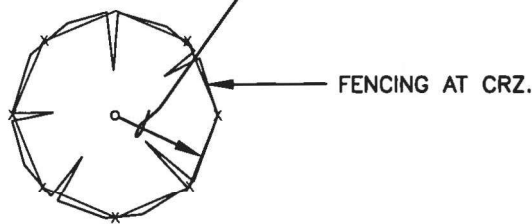


TREES NEAR CONSTRUCTION ACTIVITY

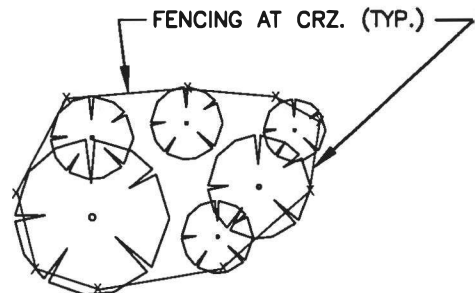
NOTE:

LIMITS OF MULCH AREAS AND DISTANCE FROM TRUNKS TO WORK/ PERMEABLE PAVING AREAS SHALL BE SUBJECT TO THE APPROVAL OF THE FORESTRY MANAGER.

CRITICAL ROOT ZONE (CRZ)
RADIUS (1 FT. PER INCH
OF TRUNK DIAMETER)



INDIVIDUAL TREE



GROUP OF TREES

FOR QUESTIONS CONCERNING THIS DETAIL,
PLEASE CONTACT THE FORESTRY MANAGER.

SCALE: NTS

RECORD SIGNED COPY
ON FILE
APPROVED

CITY OF ROUND ROCK

DRAWING NO:
EC-03
SHEET 1 of 1

01-28-21
DATE

TREE PROTECTION
FENCE LOCATIONS



THE ARCHITECT/ENGINEER ASSUMES
RESPONSIBILITY FOR THE APPROPRIATE
USE OF THIS DETAIL. (NOT TO SCALE)