
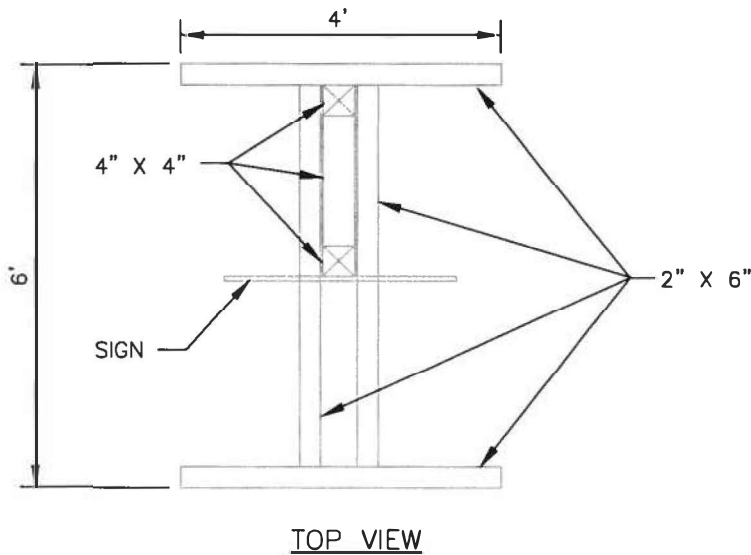
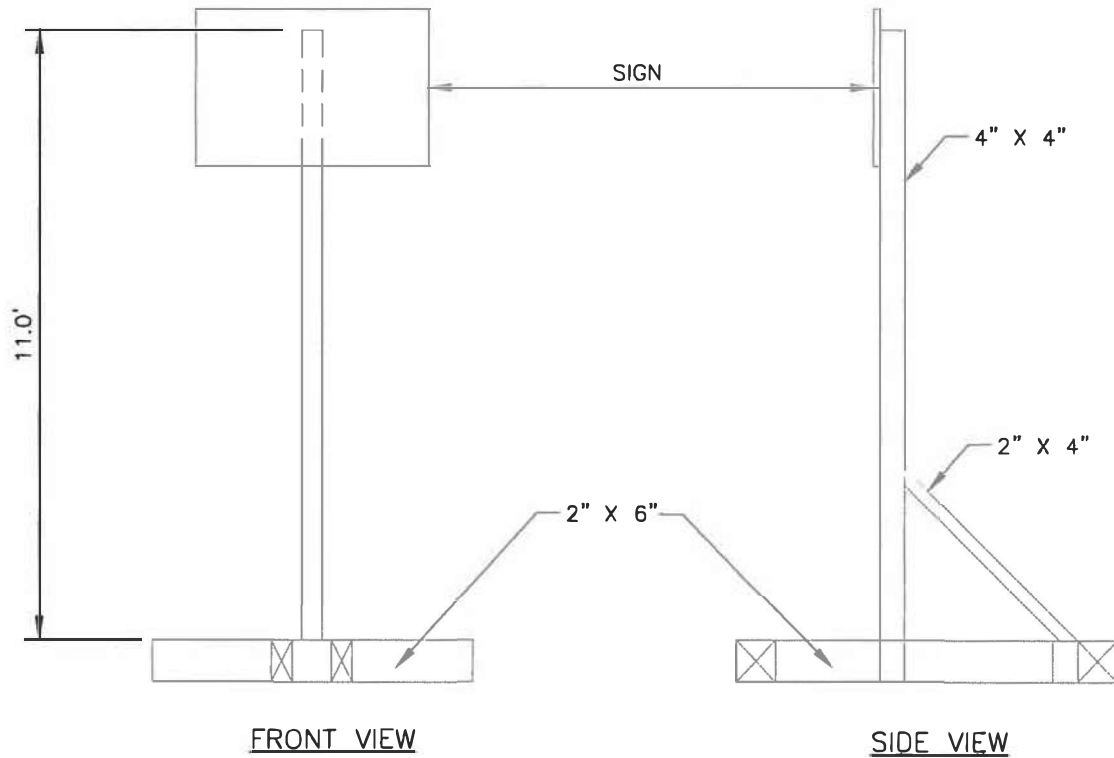


SIGN 24" X 36"

- ① 9" CITY LOGO (4 COLOR PROCESS)
- ② 2" - WHITE LETTERS
- ③ TRANSPARENT BLUE PAINT
- ④ 3" WIDE - TRANSPARENT YELLOW PAINT STRIPE
- ⑤ HIGH INTENSITY WHITE REFLECTIVE SHEETING, .080 ALUMINUM 2290, 3M CO. OR EQUAL
- ⑥ 2 1/2" - BLUE LETTERS
- ⑦ 1" - BLUE LETTERS

SCALE: NTS

RECORD SIGNED COPY ON FILE APPROVED 01-28-21 DATE THE ARCHITECT/ENGINEER ASSUMES RESPONSIBILITY FOR THE APPROPRIATE USE OF THIS DETAIL.	CITY OF ROUND ROCK C.I.P. MOVABLE SIGN TYPE II 24" X 36"	DRAWING NO: ST-09 SHEET 1 of 1 
--	---	---



NOTES:

1. ALL MATERIALS SHALL BE FURNISHED BY THE CONTRACTOR.
2. LUMBER DIMENSIONS ARE NOMINAL. PAINT ALL LUMBER WHITE.
3. SIGN MUST BE IN COLORS SPECIFIED.

SCALE: NTS

RECORD SIGNED COPY
ON FILE

APPROVED

01-28-21

DATE

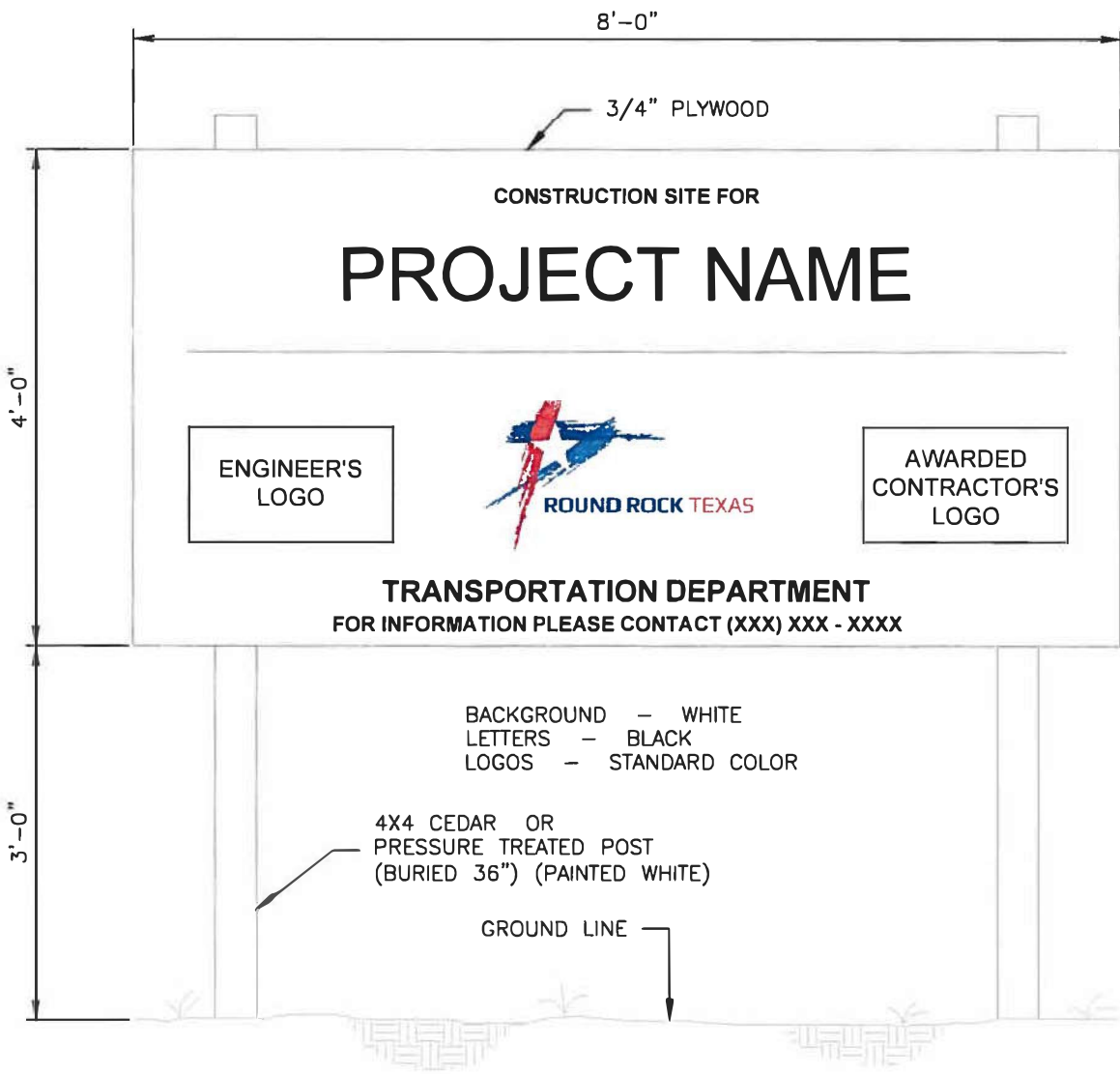
THE ARCHITECT/ENGINEER ASSUMES
RESPONSIBILITY FOR THE APPROPRIATE
USE OF THIS DETAIL.

CITY OF ROUND ROCK

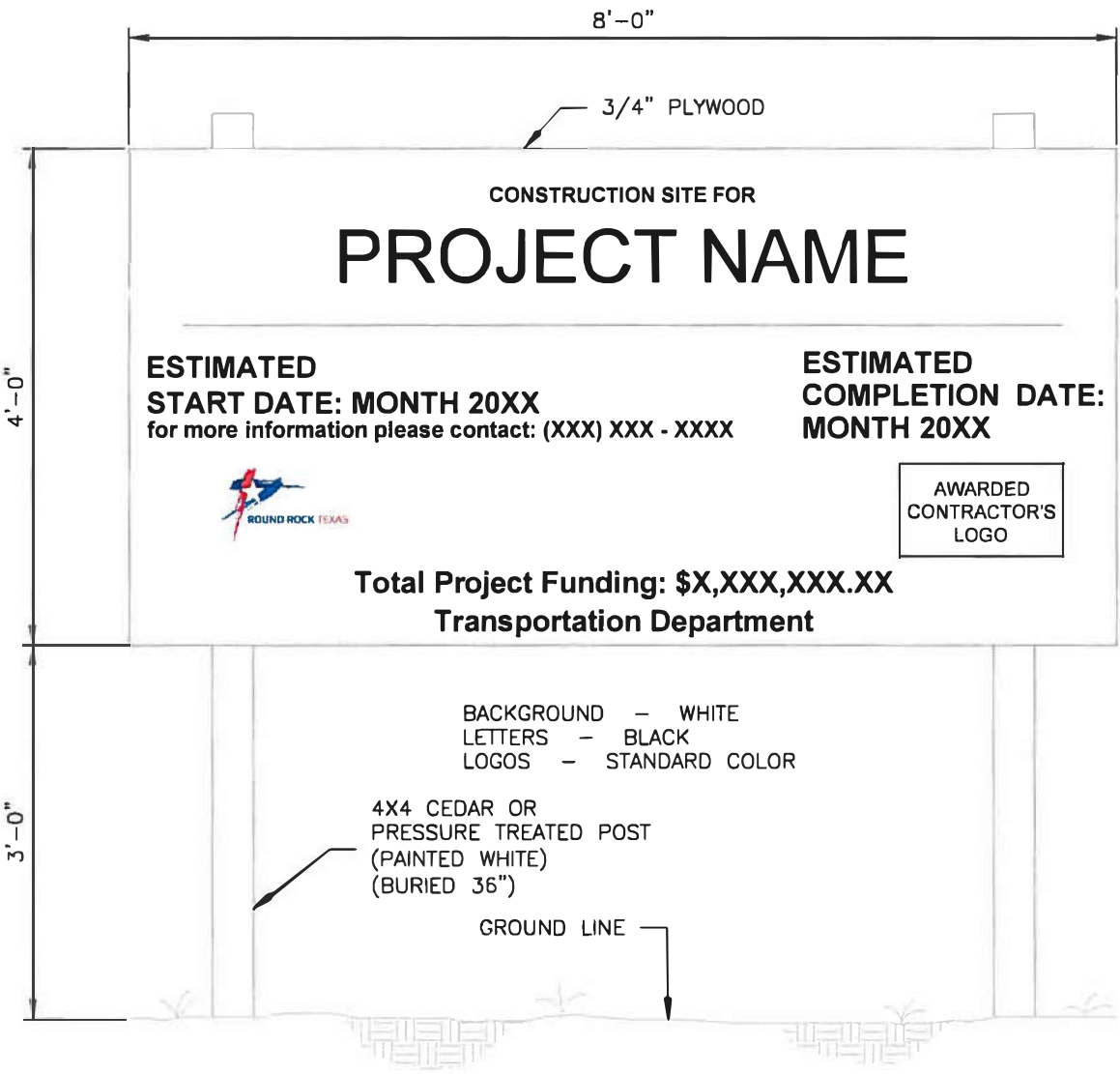
C.I.P. MOVABLE SIGN TYPE II
24" X 36"

DRAWING NO:
ST-10
SHEET 1 of 1





<p>RECORD SIGNED COPY ON FILE</p> <hr/> <p>APPROVED</p>	<p>CITY OF ROUND ROCK</p>	<p>SCALE: NTS</p> <p>DRAWING NO: ST-11.1</p> <p>SHEET 1 of 2</p>
<p>01-28-21</p> <hr/> <p>DATE</p>		<p>CONSTRUCTION SITE SIGN (TYPE 1)</p>
<p>THE ARCHITECT/ENGINEER ASSUMES RESPONSIBILITY FOR THE APPROPRIATE USE OF THIS DETAIL.</p>		



<p>RECORD SIGNED COPY ON FILE</p> <hr/> <p>APPROVED</p>	<p>CITY OF ROUND ROCK</p>	<p>SCALE: NTS</p> <p>DRAWING NO: ST-11.2 SHEET 2 of 2</p>
<p>01-28-21</p> <hr/> <p>DATE</p>		<p>CONSTRUCTION SITE SIGN (TYPE 2)</p>
<p>THE ARCHITECT/ENGINEER ASSUMES RESPONSIBILITY FOR THE APPROPRIATE USE OF THIS DETAIL.</p>		