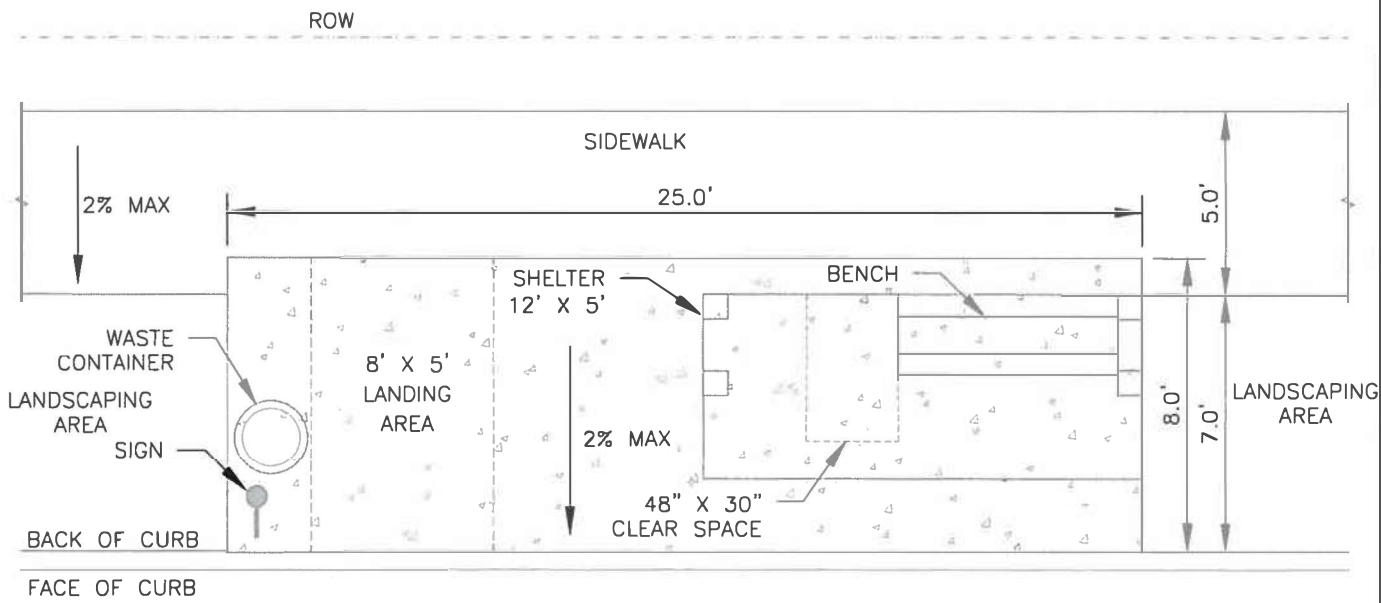

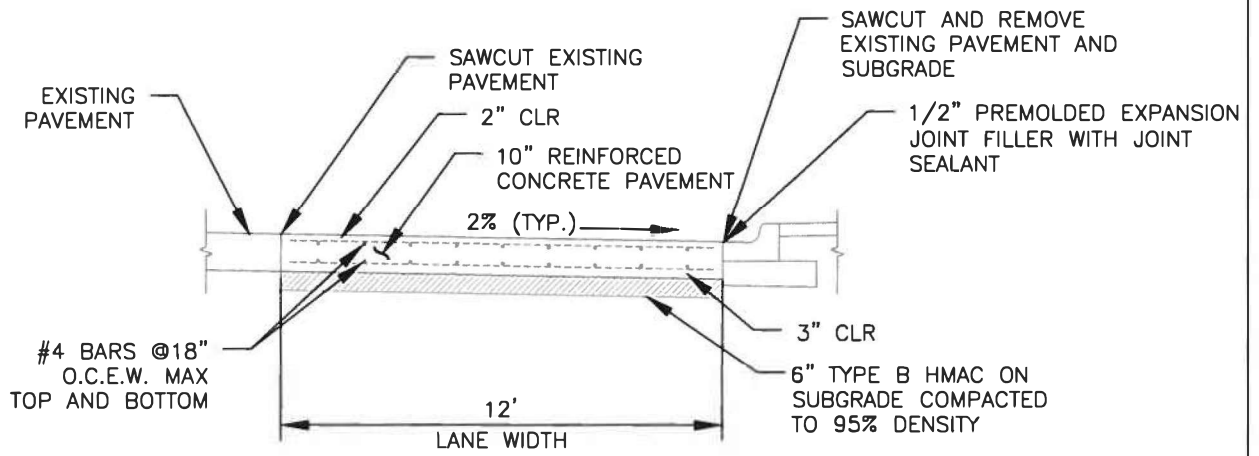


**BUS STOP TYPICAL SECTION VIEW**

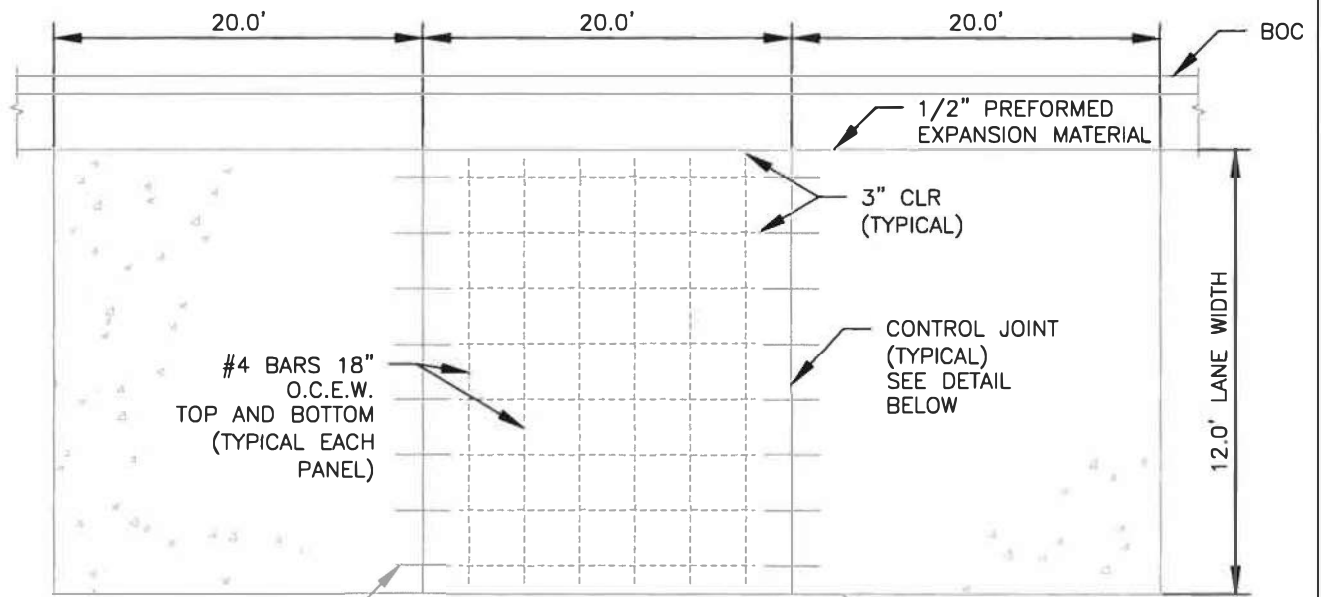


**BUS STOP PLAN VIEW**

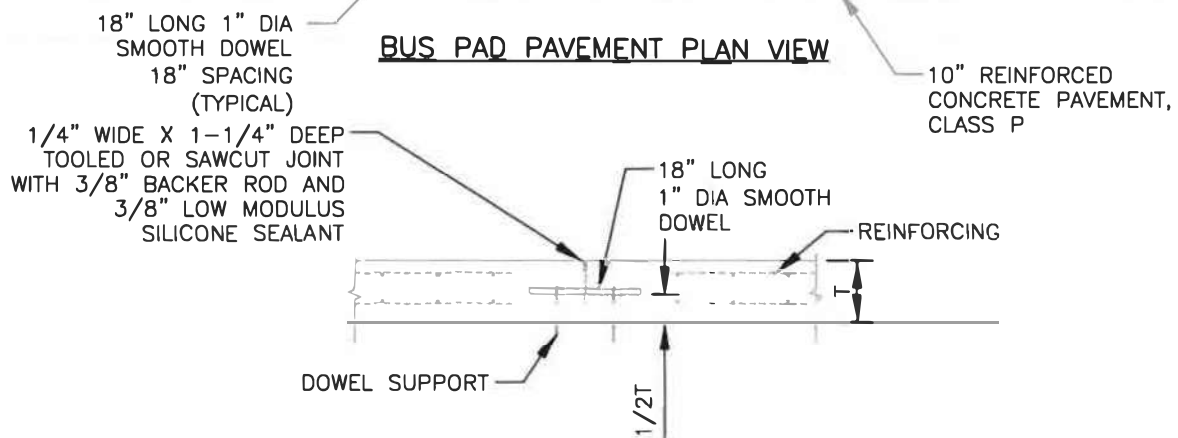
<p>RECORD SIGNED COPY ON FILE APPROVED</p>	<p><b>CITY OF ROUND ROCK</b></p>	<p>SCALE: NTS DRAWING NO: ST-17 SHEET 1 of 1</p>
<p>01-28-21 DATE</p>		
<p><b>BUS STOP DETAIL</b></p>		
<p>THE ARCHITECT/ENGINEER ASSUMES RESPONSIBILITY FOR THE APPROPRIATE USE OF THIS DETAIL.</p>		



**BUS PAD PAVEMENT SECTION VIEW**




**BUS PAD PAVEMENT PLAN VIEW**



**CONTROL JOINT**

SCALE: NTS

<p>RECORD SIGNED COPY ON FILE</p>	<p><b>CITY OF ROUND ROCK</b></p>	<p>DRAWING NO: ST-18 SHEET 1 of 1</p>
<p>APPROVED 01-28-21 DATE</p>		
<p>THE ARCHITECT/ENGINEER ASSUMES RESPONSIBILITY FOR THE APPROPRIATE USE OF THIS DETAIL.</p>	<p><b>BUS PAD DETAIL</b></p>	