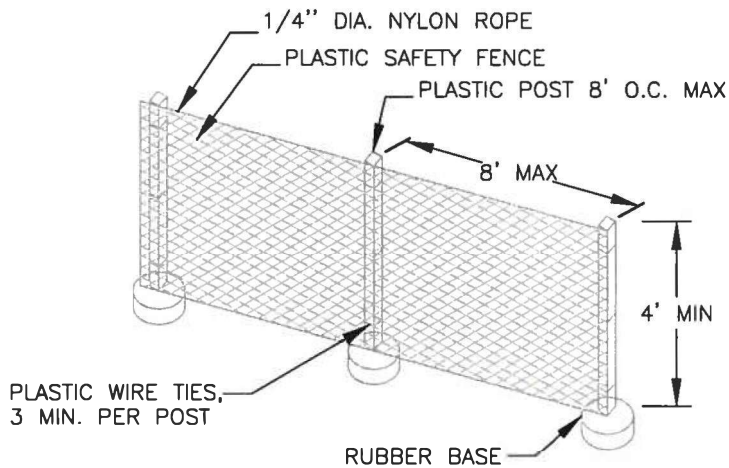


TEMPORARY SAFETY FENCE




PORTABLE SAFETY FENCE

NOTES:

1. SAFETY FENCE SHALL BE USED TO PROTECT ALL EXCAVATIONS IN THE RIGHT-OF-WAY.
2. SAFETY FENCES SHALL BE USED TO SEPARATE CONSTRUCTION ACTIVITIES FROM PEDESTRIANS.
3. ALL SAFETY FENCING SHALL BE PLASTIC, 48" MINIMUM HEIGHT AND ORANGE IN COLOR.
4. SAFETY FENCE USED WITHIN THE ROADWAY SHALL BE REFLECTORIZED WITH A MINIMUM OF TWO (2) STRIPS OF RETROREFLECTIVE MATERIAL, A MINIMUM OF 1' WIDE, THE LENGTH OF THE FENCE OR DELINEATED BY CHANNELIZING DEVICES.
5. SAFETY FENCE USED TO SEPARATE SIDEWALKS FROM CONSTRUCTION ACTIVITIES SHALL HAVE MINIMUM ENCROACHMENT TO THE SIDEWALK.
6. AS A MINIMUM, SAFETY FENCING IS REQUIRED IN AREAS ADJACENT TO EXCAVATIONS GREATER THAN OR EQUAL TO 6".
7. SAFETY FENCING SHALL BE PAID FOR UNDER ITEM 502, "BARRICADES, SIGNS AND TRAFFIC HANDLING".
8. PORTABLE SAFETY FENCE MOUNTS SHALL BE APPROVED BY THE TRANSPORTATION DEPARTMENT PRIOR TO CONSTRUCTION.

SCALE: NTS

RECORD SIGNED COPY ON FILE APPROVED 01-28-21 DATE THE ARCHITECT/ENGINEER ASSUMES RESPONSIBILITY FOR THE APPROPRIATE USE OF THIS DETAIL.	<h1>CITY OF ROUND ROCK</h1> <h2>SAFETY FENCE</h2>	DRAWING NO: ST-25 SHEET 1 of 1 
--	--	---