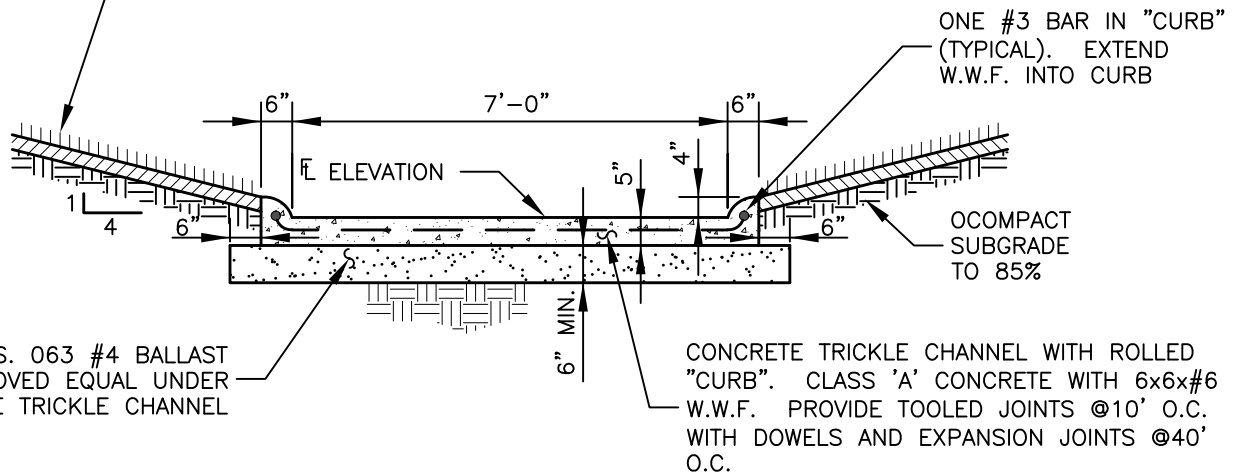


SLOPE TO NATURAL GROUND @4:1 MAXIMUM SLOPE UNLESS OTHERWISE DIRECTED BY THE ENGINEER (TYPICAL). PROVIDE 4" TOPSOIL AND REVEGETATE WITH SOLID BERMUDA GRASS SOD OR HYDRAULIC SEEDING STABILIZED WITH EROSION CONTROL MATTING



MINIMUM 6" T.C.S. 063 #4 BALLAST OR APPROVED EQUAL UNDER CONCRETE TRICKLE CHANNEL

ONE #3 BAR IN "CURB" (TYPICAL). EXTEND W.W.F. INTO CURB

COMPACT SUBGRADE TO 85%

CONCRETE TRICKLE CHANNEL WITH ROLLED "CURB". CLASS 'A' CONCRETE WITH 6x6x#6 W.W.F. PROVIDE TOOLED JOINTS @10' O.C. WITH DOWELS AND EXPANSION JOINTS @40' O.C.

RECORD SIGNED COPY
ON FILE AT U&ES DEPARTMENT
APPROVED

04-01-10
DATE

THE ARCHITECT/ENGINEER ASSUMES
RESPONSIBILITY FOR THE APPROPRIATE
USE OF THIS DETAIL. (NOT TO SCALE)

CITY OF ROUND ROCK

CONCRETE TRICKLE CHANNEL
DETAIL

DRAWING NO:
DR-03

